



SKIOLD DISC MILL



SKIOLD MAKES THE DIFFERENCE!

SKIOLD DISC MILL SK2500

Optimal feed structure for all animal groups

Capacity up to 2 t/h

Exceptional durability on wearing parts

Option of adjusting the grinding degree during operation

Easy to maintain

Low power consumption

Low noise level



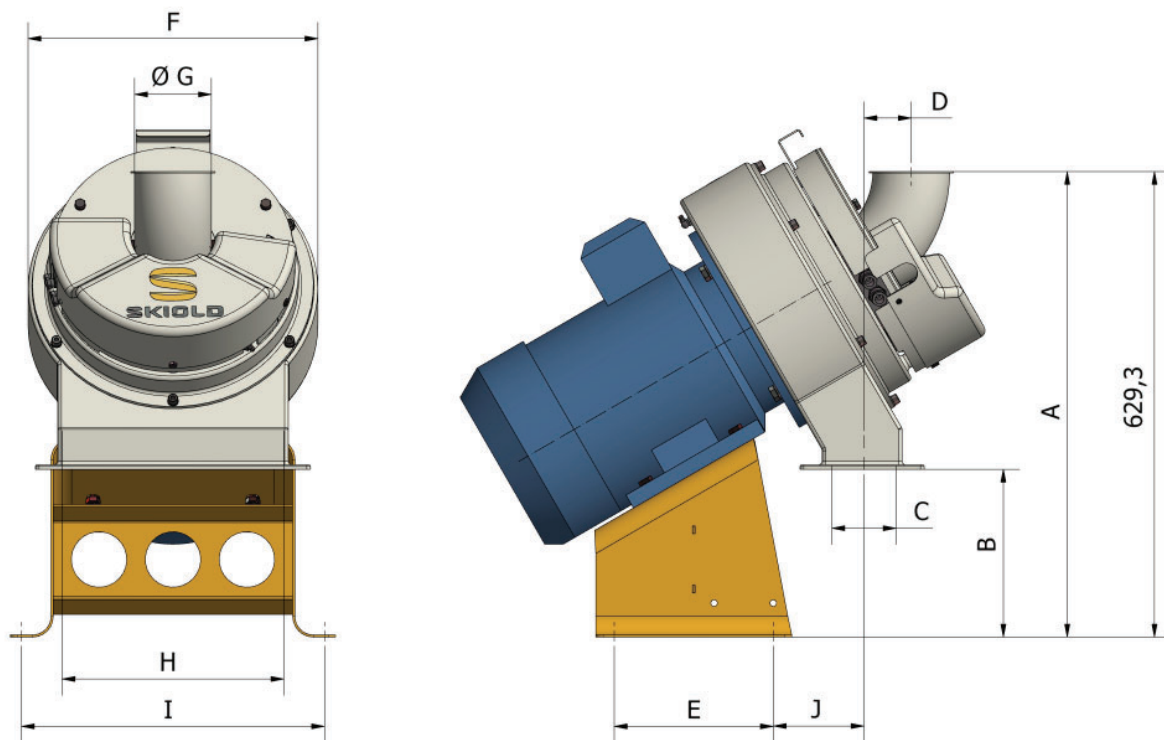
SKIOLDGROUP

SKIOLD DISC MILL

The SKIOLD SK2500 disc mill can be used for grinding of ordinary cleaned small-grained seed crops in storage dry condition and with a maximum diameter of 8 mm. Wheat, barley etc. can furthermore be ground from air tight silo with up to 25 % moisture content. However, please note that the capacity is reduced by approx. 5 % for each percentage of moisture content higher

than 15 % - for example 18 % moisture content reduces the capacity by $(18-15) \times 5 = 15 \%$.

The disc mill is also suitable for granulation of clean pelleted feed products with a pellet diameter of up to $\varnothing 12$ mm.



MEASURE SKETCH

Motor	A	B	C	D	E	F	G	H	I	J
5.5 kW	630	227	87	60.5	215	392	150	300	410	123
7.5 kW	630	227	87	60.5	215	392	150	300	410	123

TECHNICAL SPECIFICATIONS

Motor (kW):	5.5 / 7.5
Motor (rpm):	3000
Disc diameter, external (mm):	300
Distance regulation:	Manual / Automatic
Approx. noise level (dB):	80
Weight (kg):	120

CAPACITY

Cereal	5.5 kW	7.5 kW
Barley	700-1400	1000-1900
Wheat	750-1500	1000-2000
Maize	500-1500	700-2000
Oats	600-1000	800-1300
Peas	500-1500	750-2000

In storage dry and well cleaned crops, max. kg/h.
The capacity depends on the grinding fineness.