



## SKIOLD DISC MILL



SKIOLD MAKES THE DIFFERENCE!

### **SKIOLD DISC MILL SK10T**

Optimal feed structure for all animal groups

Capacity up to 18 t/h

Exceptional durability on wearing parts

Option of adjusting the grinding degree during operation

Easy to maintain

Low power consumption

Low noise level

Automatic lubrication system



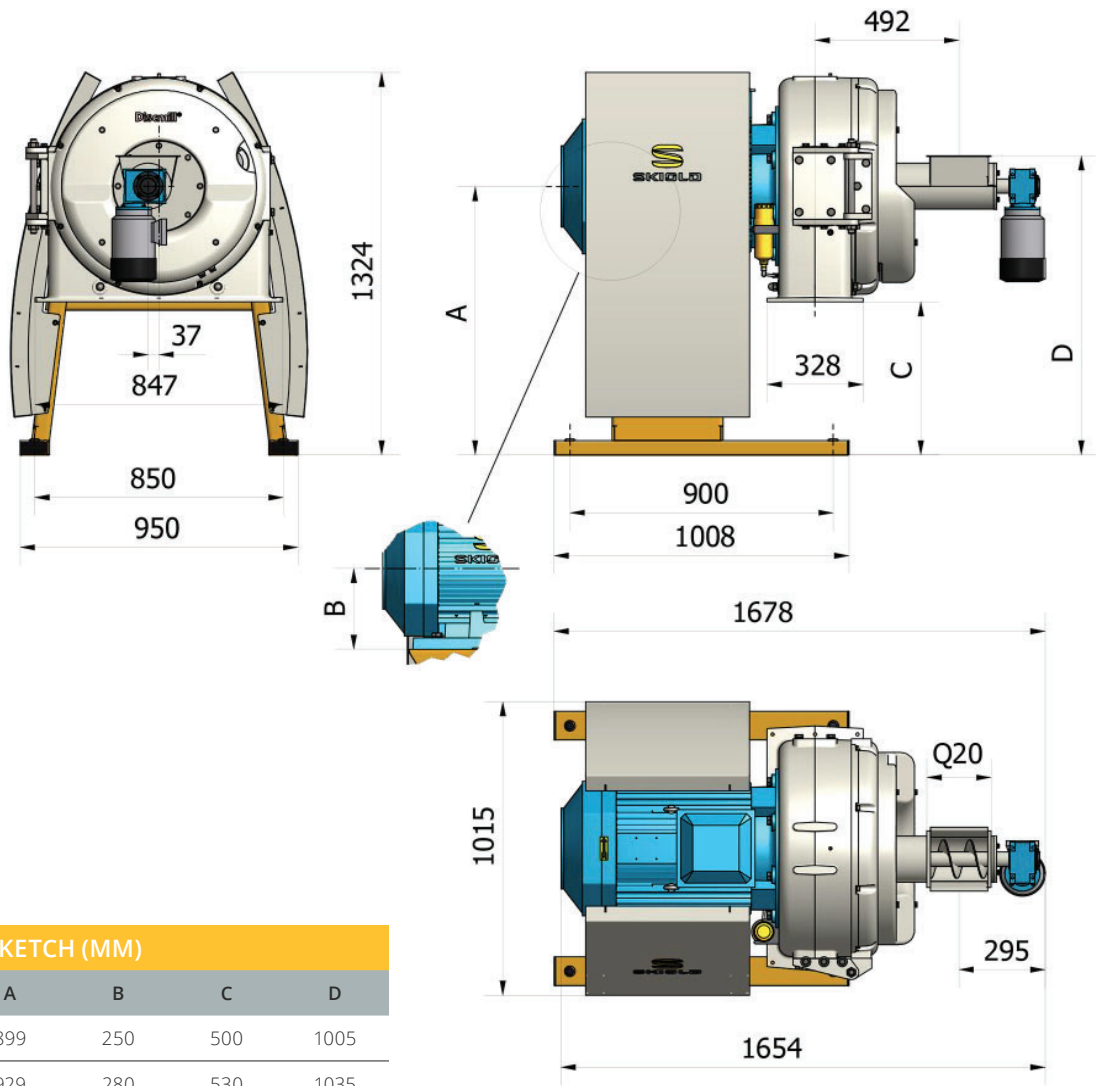
**SKIOLD**GROUP

# SKIOLD Disc Mill

SKIOLD SK10T DISC MILLS may be used for grinding of ordinary cleaned small-grained seed crops in storage dry condition and with a maximum diameter of 10 mm. Wheat, barley etc. can furthermore be ground from air tight silo with up to 25% moisture content. However, please note that the capacity is reduced by approx. 5% for each percentage of moisture

content higher than 15% - for example 18% moisture content reduces the capacity by  $(18-15) \times 5 = 15\%$ .

The disc mill is also suitable for granulation of clean pelleted feed products, and wood pellets, with a pellet diameter of up to  $\varnothing 16$  mm.



## MEASURE SKETCH (MM)

Motor	A	B	C	D
55 kW	899	250	500	1005
75 kW	929	280	530	1035
90 kW	929	280	530	1035

## TECHNICAL SPECIFICATIONS

Main motor (kW):	55 / 75 / 90
Motor rotation speed (rpm):	3000
Disc diameter, external (mm):	550
Distance regulation:	Automatic
Approx. noise level (dB):	80
Weight (kg):	1100-1400
Feeding auger:	0.75

## CAPACITY

Cereal	55 kW	75 kW	90 kW
Barley	3000-10000	4000-13000	7000-16000
Wheat	3000-12000	4000-15000	7000-18000
Maize	3000-12000	4000-15000	7000-18000
Oats	2500-9000	3000-12000	6000-14000
Peas	2500-9000	3000-12000	6000-14000

In storage dry and well cleaned crops, max. kg/h.  
The capacity depends on the grinding fineness.