



## SKIOLD DISC MILL SK780



SKIOLD MAKES THE DIFFERENCE!

### SKIOLD DISC MILL SK780

Optimal feed structure for all animal groups

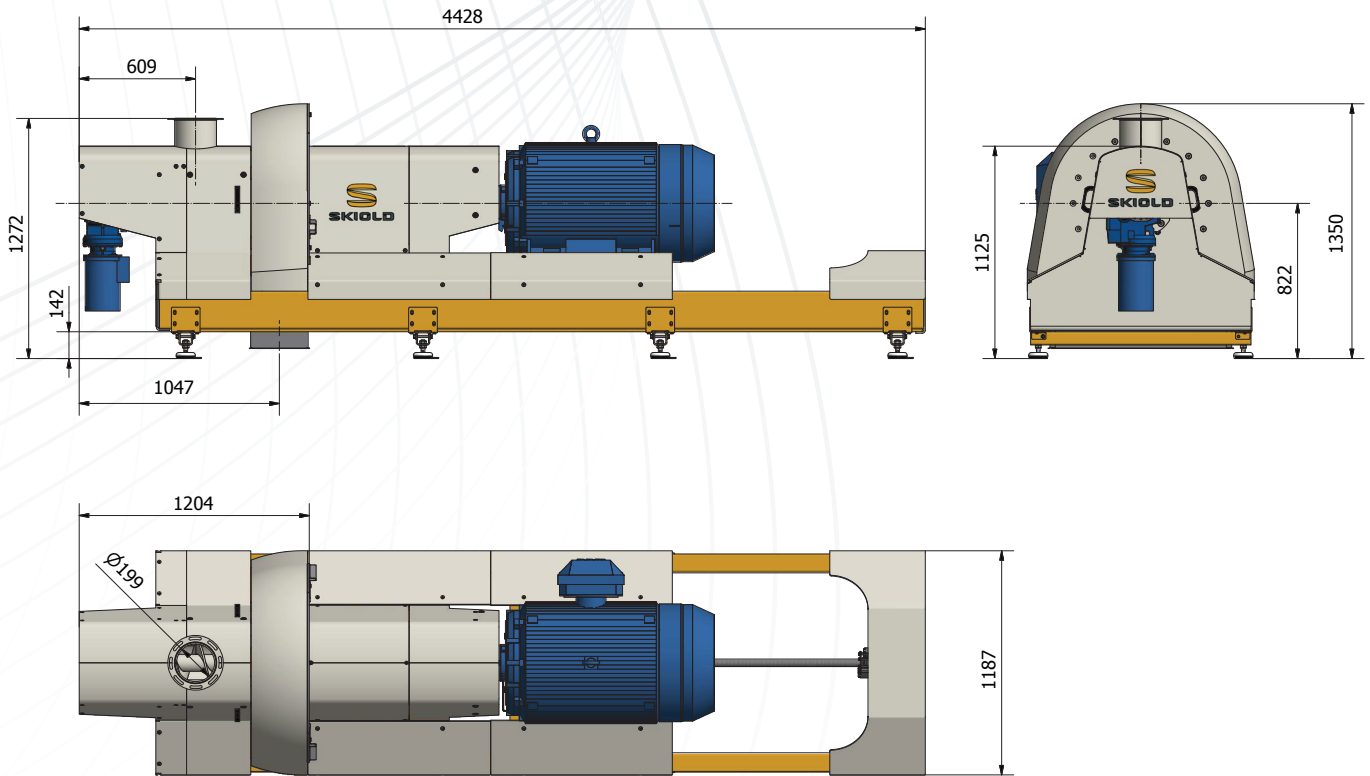
Exceptional durability on wearing parts

Low power consumption

Capacity up to 30 t/h

Quiet running

# SKIOLD DISC MILL SK780



Datablad: 986 003 959\_00\_03-11-2015.

## TECHNICAL SPECIFICATIONS

	SK780
Main motor	160 - 200 kW 2800 o/m
Disc diameter (external)	780 mm
Distance regulation	Automatic
Noise level	Approx. 80 dB
Shipping weight	5400 kg
Feeding auger	0.75 kW 1400 rpm

## CAPACITY

Cereal	160 kW	200 kW
Barley	9000-19500	12000-26000
Wheat	9000-22500	12000-30000
Maize	9000-22500	12000-30000
Oats	7500-18000	12000-24000
Peas	7500-18000	12000-24000

In storage dry and well cleaned crops, max. kg/h.  
The capacity depends on the grinding fineness

SKIOLD SK10 DISC MILLS may be used for grinding of ordinary cleaned small-grained seed crops in storage dry condition and with a maximum diameter of 10 mm. Wheat, barley etc. can furthermore be ground from air tight silo with up to 25% moisture content. However, please note that the capacity is reduced by approx. 5% for each percentage of moisture content higher than 15% - for example 18% moisture content reduces the capacity by  $(18-15) \times 5 = 15\%$ .

The disc mill is also suitable for granulation of clean pelleted feed products, and wood pellets, with a pellet diameter of up to  $\varnothing$  25 mm.