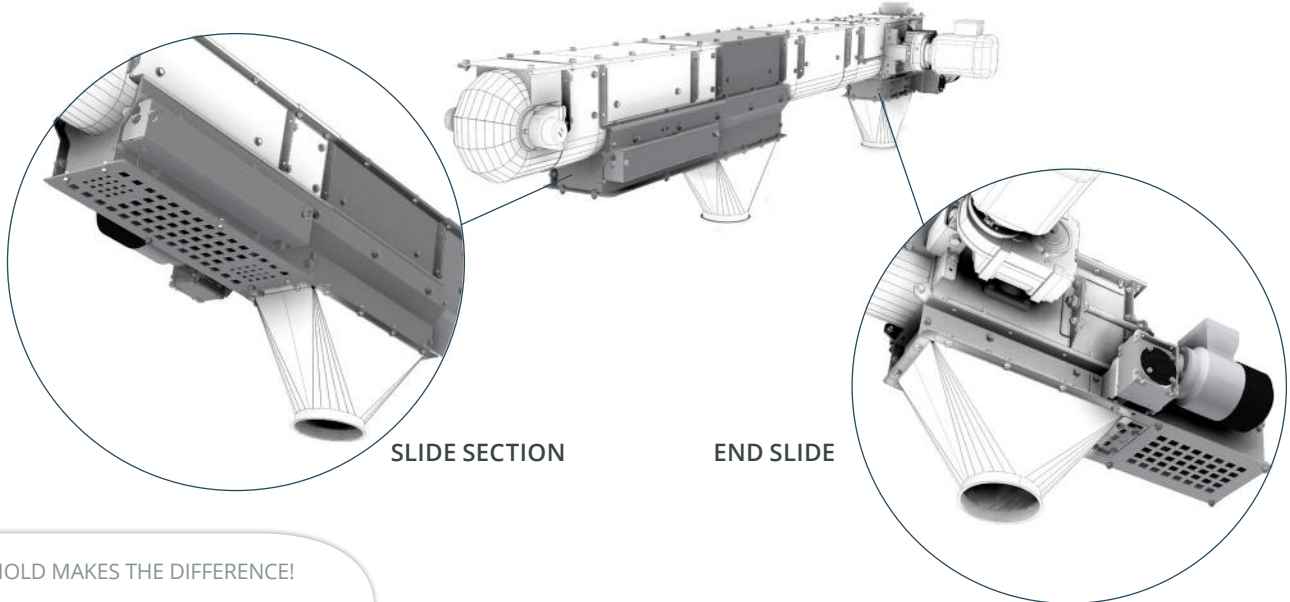




SKIOLD OUTLET SLIDES MODEL CL



SKIOLD MAKES THE DIFFERENCE!

SKIOLD OUTLET SLIDES MODEL CL FOR DK150CL CONVEYORS

- Lean and compact design
- Trough shaped slide
- Motor operated
- Position indicator
- Galvanized or stainless steel

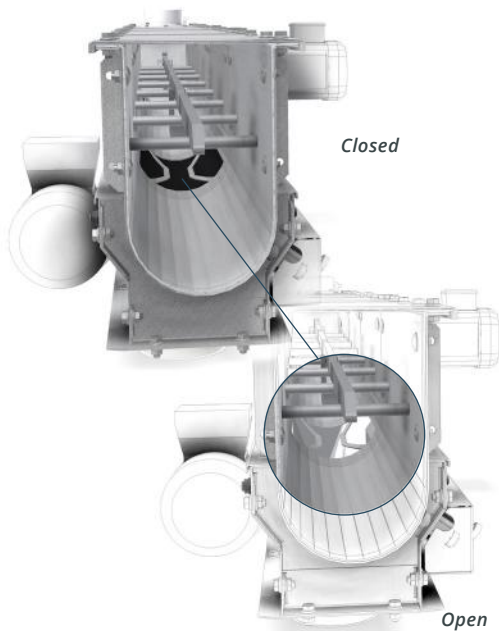
SKIOLD OUTLET SLIDES MODEL S FOR DK150CL CHAIN CONVEYORS

There are two types of outlet slides for DK 150 CL conveyor. Slides for end outlet and inline slides for intermediate outlets

The Skiold slides are designed to operate without leaking or building up of material inside the slide mechanism. The compact design minimizes build-in space.

The large opening area, length: 420 mm, secures very little carry over. To prevent cross contamination the shutter plate is trough shaped and thereby leaves almost no material with closed outlet. Standard outlet accessories fits both slides.

The SLIDE SECTION is designed as a 600 mm intermediate section for mounting between intermediate conveyor sections. It is operated by a 380V, 3 phase motor. Easy access to position switches for open and closed indication.



The END SLIDE is designed for end outlets and is operated by a 380 V 3 phase motor. Easy access to position switches for open and closed indication.

